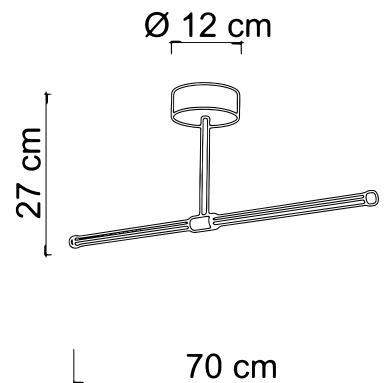


ELIA/PL70

ceiling lamp



The Elia Collection embodies the concept of illuminated minimalism, with lamps characterized by an extruded aluminum profile that offers extraordinary simplicity. These lamps not only provide light but also decorate the spaces they inhabit. With their essential and clean design, the Elia Collection represents a perfect blend of functionality and aesthetics, offering sophisticated lighting that harmoniously integrates into the decor.

7319	ELIA/PL70 O
7326	ELIA/PL70 N
Power	13W Led Integrated
Input	220/240 V- 50/60Hz
Kelvin	3000
Dimmable	No
Real Lumen	815
CRI	85
IP	20

PACKAGING DATA :

Packages	1
Net Weight	0,9kg
Gross Weight	1,3kg
Volume	0,0265 m ³

Any interventions on the light source of this article must be carried out by qualified personnel or by the manufacturer himself.
Any operation carried out without prior consultation with Contemporanea srl will void the guarantee

CE ENEC RoHS

MATERIAL :

Frame	Metal
Diffuser	PMMA

FINISHING TABLE:

Frame	 Painted Gold	cod. 7319
	 Matt Black	cod. 7326